



**THE RIGHT SEAT MAKES
TOUGH JOBS EASIER.**

ACTIMO[®]

*High-Comfort Seat for
Large Construction Machinery.*



- Actimo Evolution**
- More comfort
 - More performance



GRAMMER



PERFECT SUPPORT FOR TOP PERFORMANCE.



Even The Most Powerful Machine Is Only as Good As Its Operator.

The low frequency suspension of the Actimo Evolution and the Actimo XXL is designed to compensate vibrations in heavy construction machines:

Vertical vibrations and jolts are minimized by the seat's low natural frequencies, preventing the buildup of violent rocking. This makes it comfortable to use so you can work in a relaxed, stress-free manner without tiring. The strain on your back is noticeably reduced, benefiting both your health and fitness in the long run.

If You Spend All Day in the Seat, You Need the Best.

The Actimo provides the ultimate in operator comfort to help you perform your best all through the working day. The extra-high, deeply molded seatback has side extensions for maximum back and lateral support. The headrest comes with adjustable height and angle, while the pneumatic lumbar support and variable seat depth and angle give you optimum flexibility and help keep you alert and full of energy.

The Actimo Evolution also offers an active climate system. This system removes body moisture, so the driver always sits comfortably with a dry back and buttocks at a pleasant temperature. This is a great help for maintaining concentration on the job all day long.

Seat Adjustments Made Easy: "Design for Use"

The Actimo Evolution excels with its user-friendly "Design for Use". The controls are designed to let the user tell by touch how they work and which way to move them. Each has a unique shape to prevent them from getting mixed up. All controls are lo-cated where you would intuitively expect them. This makes it easy to position the seat for maximum comfort without having to read a manual first.

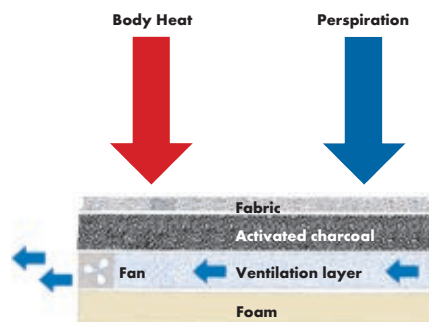


High Backrest and Adjustable Headrest

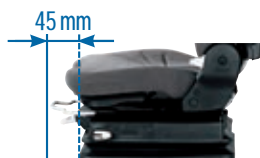
Stay relaxed when you drive, with optimum back and side support: the high backrest is fitted with ergonomically molded cushions and extended sides for extra comfort. The headrest can be quickly and easily adjusted to suit every job and operator size, over a 100 mm height range and 38° angle.

Active Climate System with Heating

The most important requirement for feeling good in the driver's seat is a pleasant temperature. But even with air-conditioning in the cabin, the driver sweats where his body contacts the seat. That is why the Actimo Evolution is equipped with active climate system, which removes body moisture. This way the driver will never again sit at the wheel drenched in sweat. On cold days, the seat heating keeps you snug.



ACTIMO. MANY OUTSTANDING DETAILS



Extra-Wide Cushions

These comfortable cushions prevent slipping and sliding.

Variable Seat Cushion Depth

Adjustable in 4 steps to optimally support thighs of different lengths.

Flexible Seat Cushion Angle

Reduces the pressure on the backs of your knees. Adjustable in 4 steps in a 3° - 11° range.

210 mm Fore/Aft Adjustment

For easy positioning of the seat within the vehicle.

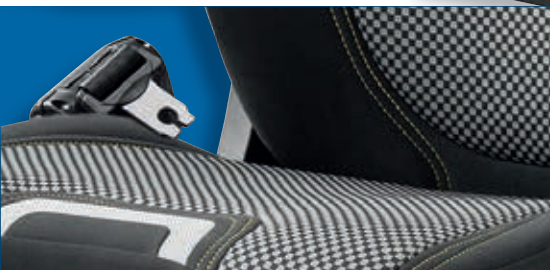


Low Frequency Suspension

For extremely comfortable sitting. Pneumatic low frequency suspension with compressor: an innovative solution that absorbs jolts and vibrations more effectively, giving you a relaxed, stress-free ride, particularly at high speeds. Increased comfort, plus increased protection for your spine.



The model shown may deviate from the standard configuration.



“Design for Use”

The Actimo Evolution is characterized by “Design for Use” - the controls are designed so the user can tell by touch how they work and which way to move them. Each has a unique shape to prevent them from getting mixed up. All controls are located where you would intuitively expect them.

Pneumatic Lumbar Support

Back care at the touch of a button. The pneumatic lumbar support molds itself to your back, quickly and exactly – making you feel comfortable, while also preventing damage to your spinal disks by providing optimum lumbar support.

Document Box

Switch for Active Climate System

incl. heating



Foldable Armrests with Fabric Covers

With adjustable height and angle.
The fabric covers offer more comfort.

ADD UP TO COMFORTABLE SITTING.

Adjustable Backrest

If cab space allows, the backrest can be reclined backward in small steps – making it ideal for rest breaks. The backrest can also be folded forward right onto the seat cushion.



80 mm Height Adjustment

The ideal seat position for every body size.

Adjustable Shock Absorber

For adjusting to different usage conditions.

Fore/Aft Isolator

Reduces horizontal vibration in the direction of travel, for a more comfortable ride on tough terrain.

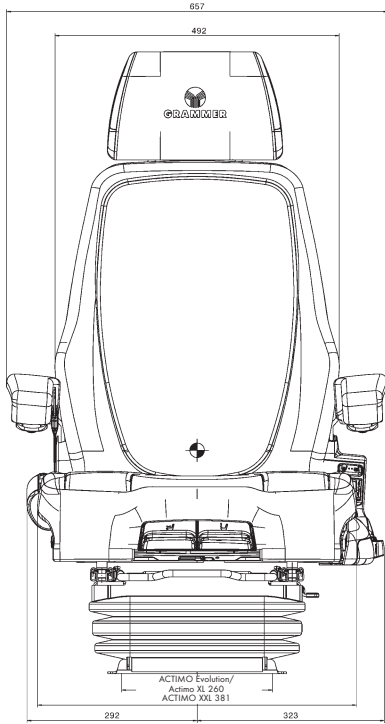
Active Electronic Weight Adjustment

Just sit down and go: the Actimo Evolution has sensors and an electronic control system that adjust the seat to the driver’s weight completely automatically.

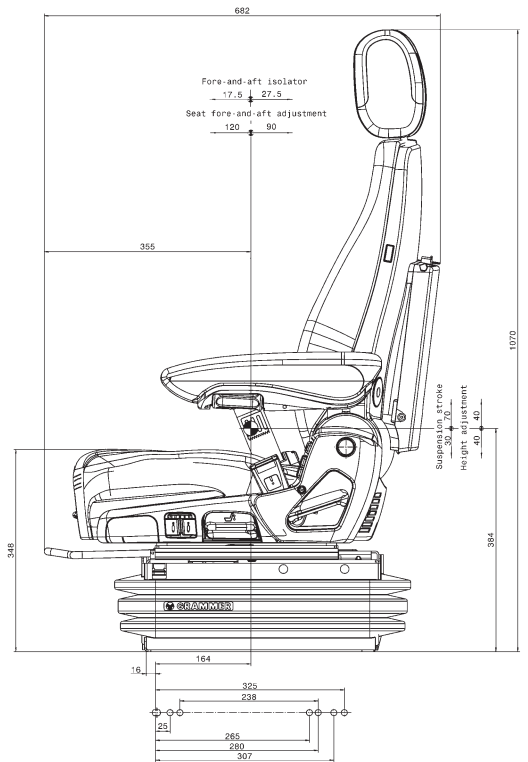
This lets the seat’s suspension system work optimally, providing for greater ergonomics and safety. Nothing needs to be done when changing drivers; the seat automatically adjusts to even the smallest variation in weight.



ACTIMO EVOLUTION



Seat cushion width: Actimo Evolution 550, Actimo XL/XXL 490

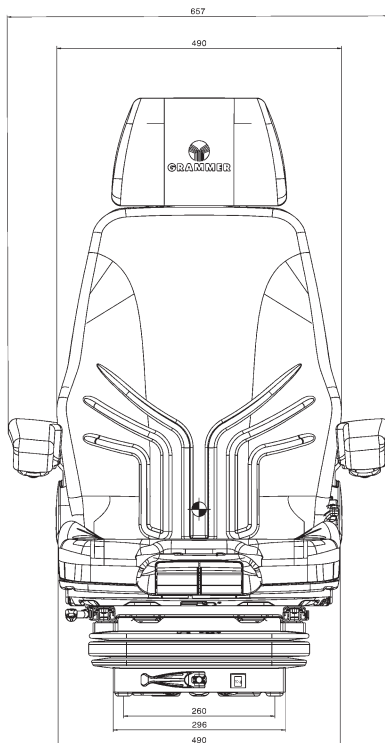


Pneumatic

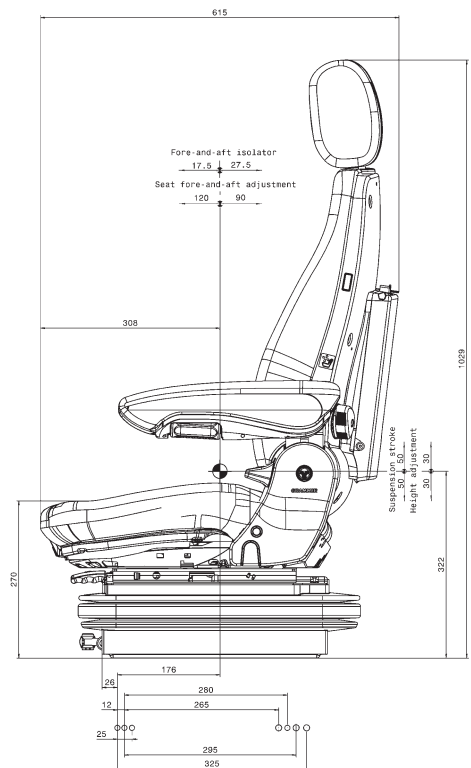
THERE'S ALWAYS ROOM FOR ACTIMO.

Mechanical

ACTIMO M



FRONT VIEW



SIDE VIEW



Actimo XL



Actimo M



Actimo Evolution



Actimo XXL

ACTIMO EVOLUTION

The models shown may deviate from the standard configuration.



FEATURES	Actimo Evolution	Actimo Evolution	Actimo Evolution	Actimo Evolution	Actimo XXL	Actimo XL	Actimo XL	Actimo M
	1294584	1294588	1294599	1294602	1294779	1294557	1294562	1294547
Article no. fabric								
Article no. imitation leather								143734
Document box	●	●	●	●	○	○	○	○
APS (Automatic Positioning System)	●	●	●	●	●	●	●	○
Armrests height adjustable, foldable	●	●	●	●	○	○	○	○
80 mm x 380 mm, adjustable angle								
80 mm x 380 mm, adjustable angle, with fabric cover	●	●	●	●				
Left-hand controls	●	●						
Controls ahead			●	●	●	●	●	●
Shock absorber , adjustable	●	●	●	●	●	●	●	●
Non adjustable								●
Suspension								
Air suspension with 12V compressor	●		●			●		
Air suspension with 24V compressor		●		●	●		●	
Mechanical suspension								●
Low frequency suspension	●		●	●	●			
Extra-wide, rugged suspension					●			
Suspension stroke 100 mm	●	●	●	●	●	●	●	●
Weight adjustment , mechanical								●
Automatic	●	●	●	●	●	●	●	
Active (electronic)	●	●	●	●				
Height adjustment								
80 mm infinite (pneumatic)	●	●	●	●	●	●	●	
60 mm 3-step (mechanical)								●
Climate system , active	●	●	●	●				
Passive					●	●	●	
Headrest	●	●	●	●	○	○	○	○
Fore/aft adjustment 170 mm					●			
210 mm	●	●	●	●	●	●	●	●
Fore/aft isolator	●	●	●	●	●	●	●	●
Lumbar support , pneumatic	●	●	●	●	●	●	●	●
Mechanical								●
Adjustable backrest angle	●	●	●	●	●	●	●	●
Restraint system	●	●	●	●	○	○	○	○
Seat heating	●	●	●	●	●	○	○	○
Adjustable seat cushion depth and angle	●	●	●	●	●	●	●	●
Seat cushion width	550 mm	550 mm	490 mm	490 mm	490 mm	490 mm	490 mm	490 mm
OPS (operator presence switch)	●	●	●	●	○	○	○	○
OPTIONAL FEATURES								
Control carrier consoles			○	○	○	○	○	○

● Standard features ○ Optional features

**Seating systems that keep you fit:
GRAMMER offers state-of-the-art
products for all mobile work-
places - from tractors, construc-
tion machines, and forklift trucks
all the way to trucks, buses,
vans, and trains. Ergonomically
designed, they set new standards
of sitting comfort and operating
convenience. Just ask us - we'll be
happy to advise you.**

